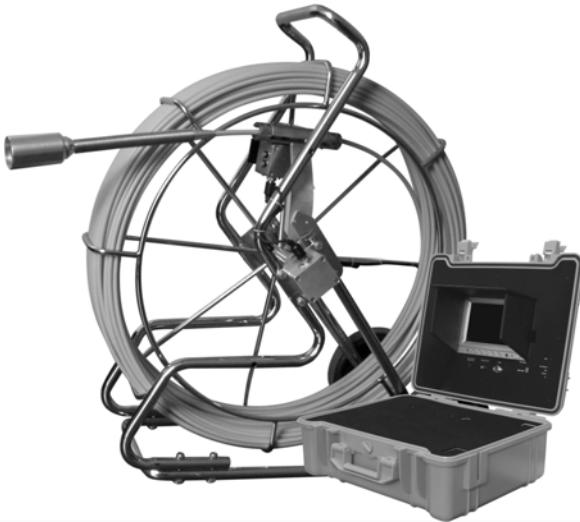


PIPELINE & DRAIN INSPECTION SYSTEMS WITH DVR FEATURE

MODEL NO.: SWJ-3288

ASSEMBLY AND OPERATING INSTRUCTION



Read these instructions completely before operating this system

Specifications

Item	Description
Power adapter	110VAC~240VAC 12VDC1800mA
Battery Case	LI-ON BATTERY
Maximum Camera Depth	60/120M Cable
Camera Light Source	Built-in White LED(18PCS)
Camera Angle-of-View	80° (horizontal), 80° (vertical)
Camera Depth-of-View	400 mm (approximate)
Camera Image	Color
Monitor Image	Color
Monitor Picture Resolution	320 (TV Lines)
Monitor Input Voltage	12 Volts DC
System Operating Temperature	-20°to 120°F
METER COUNTER	METRIC & IMPERIAL

Save this Manual

Attention

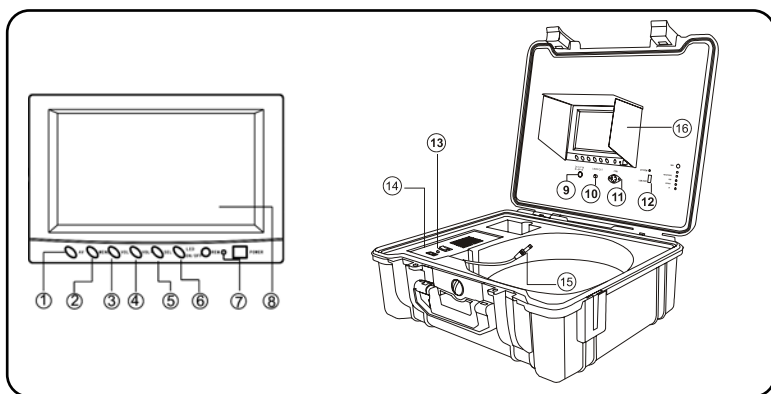
1. Read the user manual carefully before using this system.
2. Avoid using the device in extremely cold, heat, or humidity environment, it may damage the device.
3. Do not drop or press hard on the device.
4. Warranty avoid if the device is opened by users or has physical damage.
5. Always back up your data before connecting your USB device to this system. The manufacturer is not responsible for any data damage on your USB device for any reason.
6. Do not disconnect the unit while recording or playing. It may damage the unit or the USB device

Application

WITH AUTO BALANCE CAMERA FOR DRAIN AND PIPELINE INSPECTION.

1. WATER SUPPLY
2. WASTE WATER
3. ELECTRICAL AIR-CONDITION
4. CABLE DUCTING
5. DUCTED VACUM SYSTEMS
6. IN BUILDING

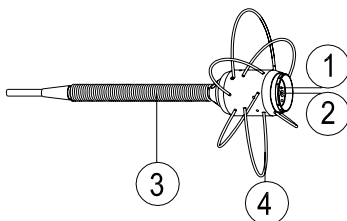
Know Your Tool



- | | |
|--------------------------|---------------------------|
| 1. AV SELECTOR BOTTON | 9. DC 12V IN |
| 2. MENU | 10. VIDEO OUT |
| 3. DOWN SELECTOR | 11. CAMERA PORT |
| 4. UP SELECTOR | 12. USB PORT |
| 5. MENU UP/DOWN SELECTOR | 13. POWER & CHARGE SWITCH |
| 6. MENU UP/DOWN SELECTOR | 14. AC INPUT PORT |
| 7. POWER SWITCH | 15. DC 12V OUTPUT CORD |
| 8. FLAT TFT SCREEN | 16. SUN VISOR |

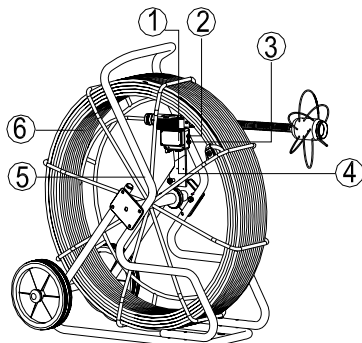
Camera

1. WHITE LEDS
2. LENS
3. SPRING
4. SKID



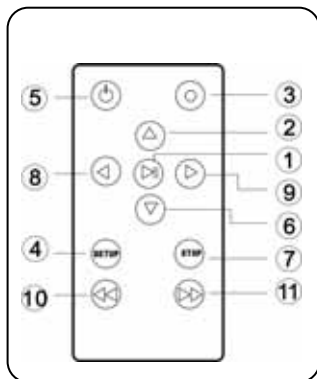
Cable wheel

1. COUNTER BOX
2. RESET BUTTON
3. METRIC & IMPERIAL BUTTON
4. FEMALE PLUG
5. BRACKET
6. CABLE WHEEL



Remote control buttons (DVR use only)

- 1) Enter: Enter to view and play video or music
- 2) Up: Go to up/previous item
- 3) REC: Start the recording
- 4) Setup: System setup and recording features
- 5) Enter: System in
- 6) Down: Select down/next item
- 7) Exit: Stop or escape from current menu
- 8) Left: Select Left item
- 9) Right: Select Right item
- 10) Rewind: Review video
- 11) Forward: forward video



System Set-Up

1. **IMPORTANT:** When connecting the Camera to the Monitor the power must be off or both units will be damaged.
2. Screw the Camera to the Wheel Cable (See Figure1- A) & Connect the Wheel to the Monitor (See Figure 1-B) .
3. Plug the Power Adapter cord into the wall AC socket and other end into the DC 12V-Input Jack, or plug the cord from the Battery Box into the DC 12V-Input Jack (See Figure1- C) . If use the Battery Case Power, plug the Power Cord of Battery Case into the DC 12V-Input Jack.
4. Turn on the **POWER** Switch on the front of the Monitor.
5. Gently lower the Camera into a pipe duct, etc and reel out the Cable until it is at the desired depth.
6. Record the pictures if you need (see DVR Operating).
7. By a video cable you can transfer the picture to other larger Screen.
8. When finish, carefully remove the Camera from the pipe duct, etc. Screw out the Camera and clean it with a clean, soft and dry cloth then put the Camera into the previous position.

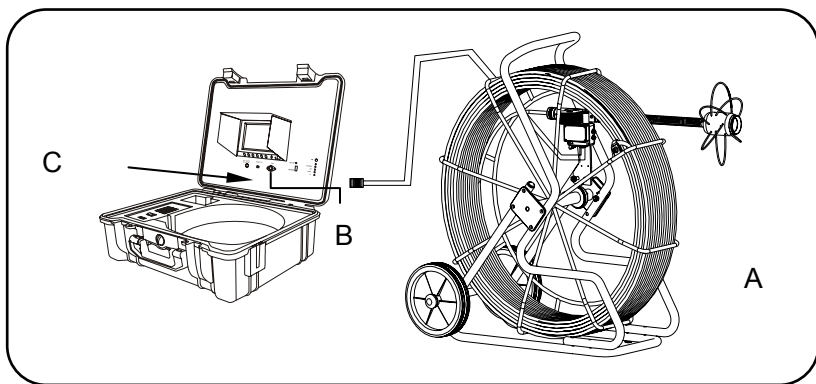


Figure 1

