



SERVICE PARTS LIST

BULLETIN NO.
54-07-2570

SPECIFY CATALOG NO. AND SERIAL NO. WHEN ORDERING PARTS				REVISED BULLETIN	DATE
M12™ DRAIN SNAKE					June 2019
CATALOG NO.	2571-20	SERIAL NUMBER	H23A	WIRING INSTRUCTION	

EXAMPLE:

00	0
----	---

 Component Parts (Small #) Are Included
 When Ordering The Assembly (Large #).

FIG. NOTES

- 5 The gasket comes as a strip and has to be formed into the circle configuration.
- 6 The cable is under pressure and can uncoil unexpectedly. Keep pressure on the cable when removing the drum cover.
- 9 To remove the drum support, hold the drum support stationary with hand while removing the T-25 screw (7) and washer (8). Then insert a T-40 screwdriver into the support shaft. Spin the drum support off by hand while holding the support shaft stationary with the screwdriver.
- 35 For ease of installing electronics, place blocks of wood under the handle to support the tool.
- 54 The motor mount (29) comes with the assembly to hold the parts together. It can be discarded if a new mount is not needed.

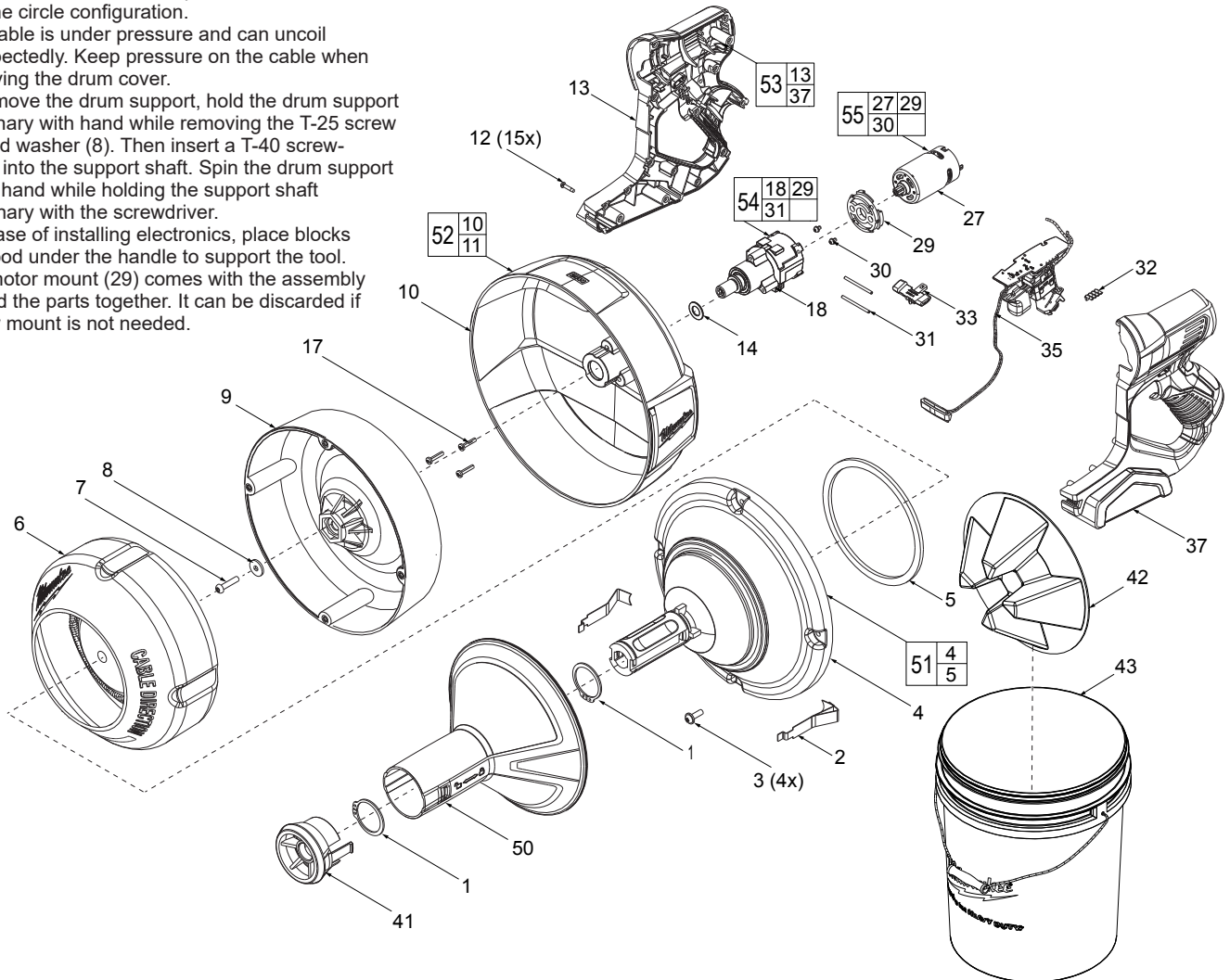


FIG.	PART NO.	DESCRIPTION OF PART	NO. REQ.
1	44-90-0265	C-Ring	(2)
2	42-36-0240	Spring Plate	(2)
3	05-81-0060	M5 x 0.8 Pan Hd. Philips Screw	(4)
4	-----	Drum Cover	(1)
5	43-44-0045	Foam Gasket	(1)
6	43-11-0085	Inner Drum (Drum Only)	(1)
7	05-74-0115	M5 x 0.8 Pan Hd. T-25 Screw (Left Hand)	(1)
8	45-88-2045	Washer	(1)
9	14-46-2571	Drum Support Kit	(1)
10	-----	Drum Shroud	(1)
11	12-20-2570	Service Nameplate (Not Shown)	(1)
12	06-82-1080	M3 x 14 ST Housing Screw	(15)
13	-----	Right Handle	(1)
14	45-88-2055	Washer	(1)
17	06-82-7261	6-19 x .687 Pan Hd. Slit. Plast. T-15 Screw	(3)
18	-----	Gear Case Assy.	(1)
27	-----	Motor	(1)
29	-----	Motor Mount Plate	(1)
30	-----	M3 x 0.5 T-10 Screw	(2)
31	06-65-0502	M2.5 x 37mm Steel Pin	(2)
32	22-09-0120	Fuel Gauge Lens	(1)
33	42-42-0360	Forward/Reverse/Lock Off Shuttle	(1)
35	14-20-2005	Electronics Assy.	(1)

FIG.	PART NO.	DESCRIPTION OF PART	NO. REQ.
37	-----	Left Handle w/ Fuel Gauge Label	(1)
41	31-15-0395	Front Handle Cover	(1)
42	31-42-0015	Bucket Insert	(1)
43	42-51-0010	Bucket	(1)
50	43-54-0205	Front Handle Assy. w/ Bushing and Retaining Rings	(1)
51	31-15-0415	Drum Cover Assy.	(1)
52	31-55-0010	Drum Shroud Assy.	(1)
53	31-44-1045	Handle Assy.	(1)
54	14-30-1015	Gear Case Assy.	(1)
55	14-50-0010	Motor Assy.	(1)
	48-53-2571	5/16" x 25' Bulb Cable	(1)
	48-53-2572	5/16" x 25' Drop Head Cable	(1)
	48-53-2573	1/4" x 25' Bulb Cable	(1)
	48-53-2574	1/4" x 25' Drop Head Cable	(1)
	48-53-2581	Inner Drum w/ 5/16" x 25' Bulb Cable Assy.	(1)
	48-53-2582	Inner Drum w/ 5/16" x 25' Drop Head Cable Assy.	(1)
	48-53-2583	Inner Drum w/ 1/4" x 25' Bulb Cable Assy.	(1)
	48-53-2584	Inner Drum w/ 1/4" x 25' Drop Head Cable Assy.	(1)

MILWAUKEE ELECTRIC TOOL CORPORATION
 13135 W. LISBON RD., BROOKFIELD, WI 53005
 Drwg. 3