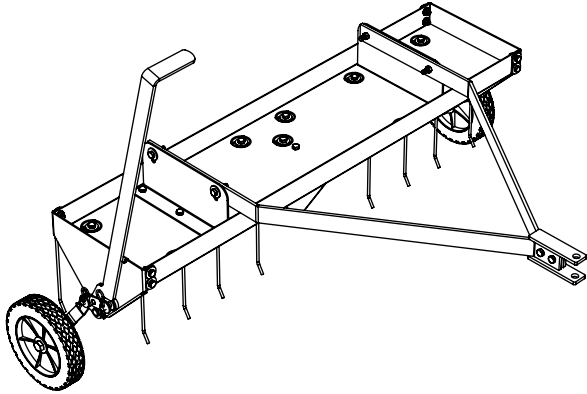


OWNER'S MANUAL

Model: DTH-42 (5301491)

(42" Tow-Behind Lawn Dethatcher)



**BEFORE RETURNING THIS PRODUCT
FOR ANY REASON, PLEASE CALL**

1-800-831-0027

**IF YOU SHOULD HAVE A QUESTION OR
EXPERIENCE A PROBLEM WITH YOUR
FIMCO INDUSTRIES PRODUCT:**

1-800-831-0027

**BEFORE YOU CALL, PLEASE HAVE THE
FOLLOWING INFORMATION AVAILABLE:
SALES RECEIPT & MODEL NUMBER. IN MOST
CASES, A FIMCO INDUSTRIES EMPLOYEE CAN
RESOLVE THE PROBLEM OVER THE PHONE.**

General Information

Thank you for purchasing this product. The purpose of this manual is to assist you in operating and maintaining your lawn dethatcher. Please read it carefully, as it furnishes information which will help you achieve years of trouble-free operation.

Warranty/Parts/Service

Products are warranted for one year from date of purchase against manufacturer or workmanship defects.

Commercial users have a 90 day warranty.

Your authorized dealer is the best source of replacement parts and service. To obtain prompt, efficient service, always remember to give the following information...

- Correct Part Description and/or part number.
- Model number/Serial number of your sprayer.

Part descriptions and part numbers can be obtained from the illustrated parts list section(s) of this manual.

Whenever you need parts or repair service, contact your distributor/dealer first. For warranty work, always take your original sales slip, or other evidence of purchase date, to your distributor/dealer.

Assembly

Your lawn dethatcher has been partially assembled at the factory for your convenience. It has been packaged "inverted" in the box. Remove the parts to the unit from the carton. Refer to the exploded view and parts list to help identify the parts.

Place the main frame on a flat surface, leaving the unit "inverted". This will be the best position for the tongue attachment procedure.

Tongue Attachment:

1. The tongue bars will be located under the inverted unit.
2. Remove the locknuts, bolts and the clevis hitch from the parts bag.
3. Illustrated steps 1 & 2 show the tongue bars bolted to the hitch clevis.
4. Step 3 shows hardware orientation at mounting location to unit. (Typ. both sides)
5. Position tongue mount per step 4 and bolt in place.
6. Bolted-on tongue assembly shown. (Step 5)

Handle Attachment:

1. Position handle over pins indicated in step 1.
2. Place 5/16" flatwashers over pins shown in step 2.
3. Secure in place with hairpin cotters per step 3.

Operation

The term thatch refers to a layer of lawn clippings, stems, roots and leaves that have not yet decayed. Regular removal of thatches is vital to the care and maintenance of a healthy lawn. Your new dethatcher should effectively dislodge this thatch from your lawn. A lawn free of thatch will allow air, water, and fertilizer to reach the grass roots more effectively.

Your lawn dethatcher should be attached to your rider or tractor on a level surface and the wheels should be in the lowered position. (handle in the locked position)

Once you are ready to use your dethatcher, use a low gear and then disengage the wheels by moving the handle out of the locked position. Once you start moving, the tines will be forced onto the ground. Speed should only be increased only as ground conditions permit. Recommended speed is approx. 3-5 m.p.h..

The top tray provides a place for you to put weights. More weight will allow the tines to brush the ground harder. Maximum weight is approx. 100 lbs..

Do not pull your dethatcher over hard surfaces with the wheels disengaged! This will damage/bend the tines.



www.fimcoindustries.com

1000 FIMCO Lane, P.O. Box 1700, North Sioux City, SD 57049
Toll Free Phone: 800-831-0027 : Toll Free Fax: 800-494-0440

Form No. 1112 [5004704 (02/10)] Printed in the U.S.A.

4 Easy Steps to Attach Tongue to Unit

Step 1



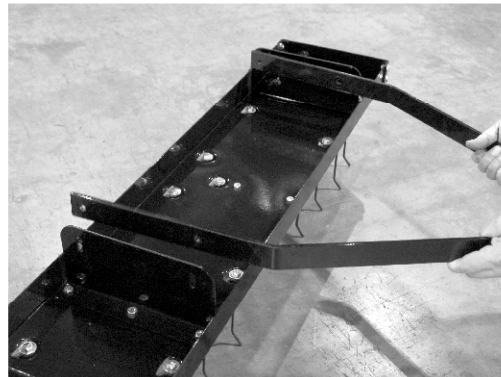
Tongue Whiz Nuts Removed

Step 2



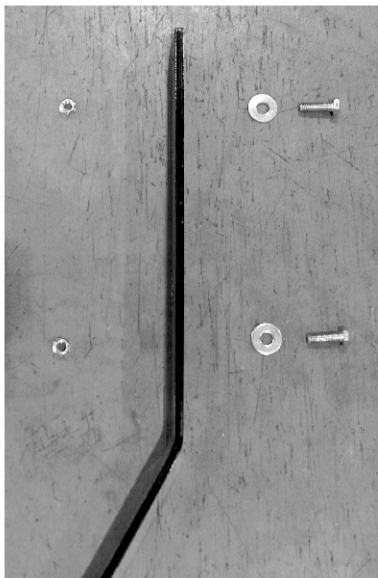
Tongue Assembled to Hitch Clevis

Step 4



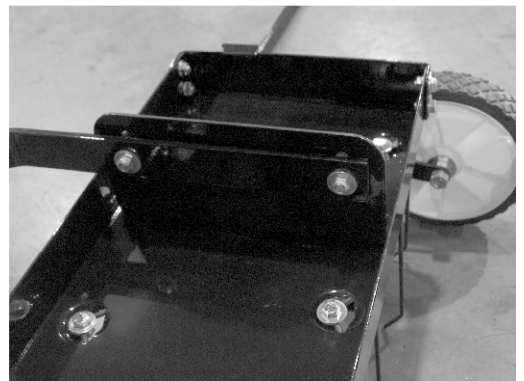
Tongue Getting Assembled to Unit

Step 3



Mounting Hardware Orientation

Step 5



Bolted-On Tongue

3 Easy Steps to Attach Handle to Unit

Step 1



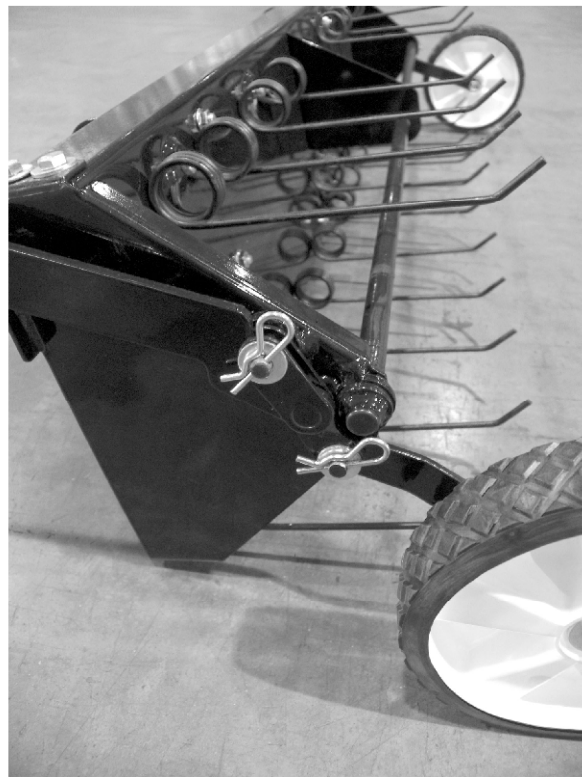
Handle Attachment to Pins

Step 2



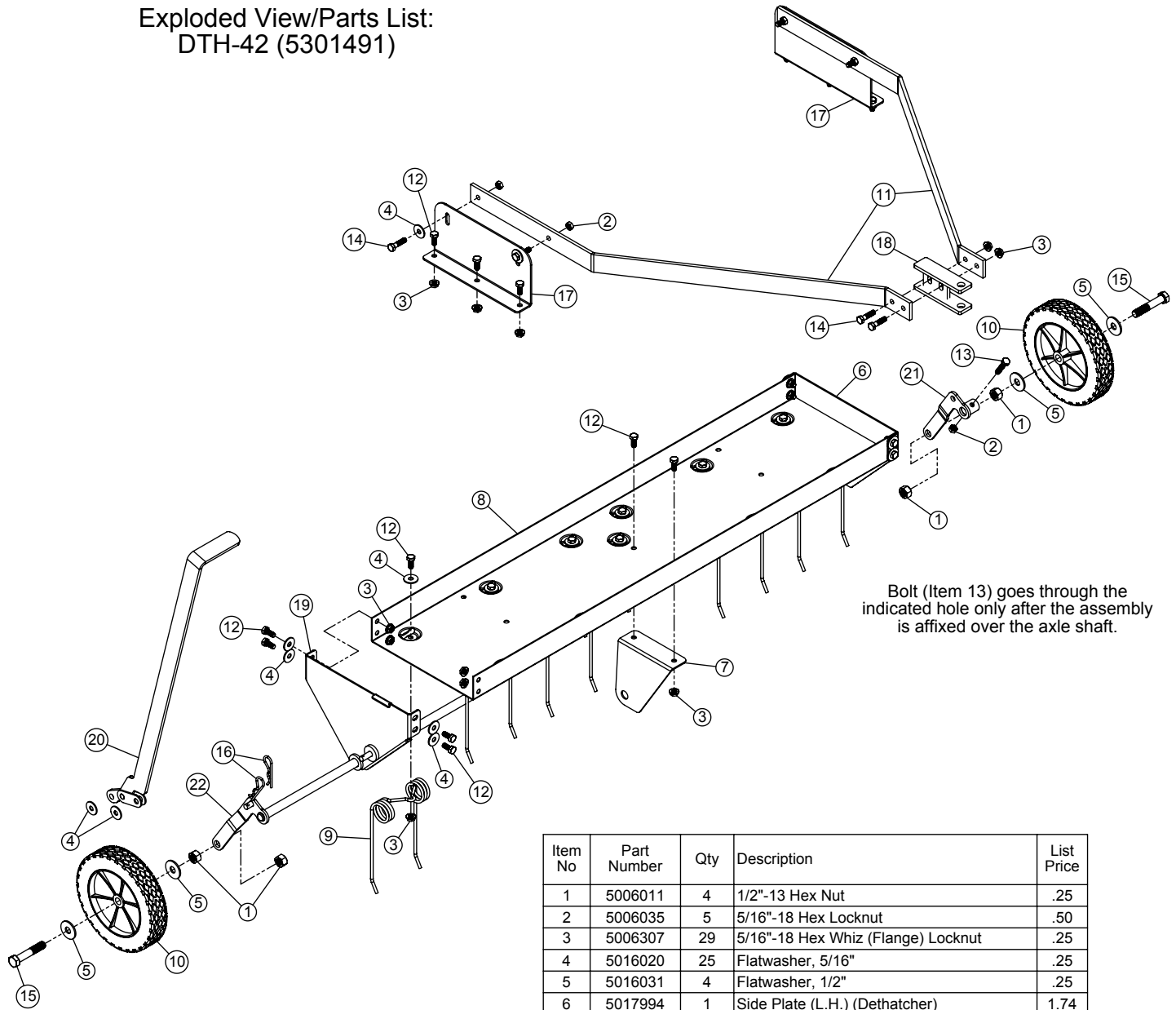
Washer Placement

Step 3



Assembled Handle

Exploded View/Parts List:
DTH-42 (5301491)



Bolt (Item 13) goes through the indicated hole only after the assembly is affixed over the axle shaft.

Hairpin cotters (Items 16) go on as shown only after 5/16" flatwashers (Items 4) are placed over the indicated pins.

Item No	Part Number	Qty	Description	List Price
1	5006011	4	1/2"-13 Hex Nut	.25
2	5006035	5	5/16"-18 Hex Locknut	.50
3	5006307	29	5/16"-18 Hex Whiz (Flange) Locknut	.25
4	5016020	25	Flatwasher, 5/16"	.25
5	5016031	4	Flatwasher, 1/2"	.25
6	5017994	1	Side Plate (L.H.) (Dethatcher)	1.74
7	5017996	1	Bearing Plate	2.03
8	5017997	1	Top Plate (Dethatcher)	20.48
9	5019264	11	Dethatcher Spring	3.00
10	5021094	2	Wheel, 6" x 1.5" x (1/2" I.D.) 1 1/2" Offset	4.00
11	5028307	2	Tongue Bar Half	6.49
12	5034038	27	H.H.C.S., 5/16"-18 x 3/4"	.55
13	5034069	1	H.H.C.S., 5/16"-18 x 1 1/2" (Full Thread)	.25
14	5034076	6	H.H.C.S., 5/16"-18 x 1 1/4"	.25
15	5034471	2	H.H.C.S., 1/2"-13 x 2 3/4"	.92
16	5101065	2	Hair-Pin Cotter (0.120" Dia.)	.40
17	5144051	2	Tongue Mount Upright	3.25
18	5275285	1	Bolt-On Hitch Weldment	4.70
19	5275314	1	Side Plate Weldment (Dethatcher)	11.99
20	5275315	1	Handle Weldment (Dethatcher)	8.61
21	5275316	1	Small Wheel Mount Weldment (R.H.)	6.99
22	5275317	1	Axle Mount Weldment (Dethatcher)	16.84

(List Prices are Subject to Change)